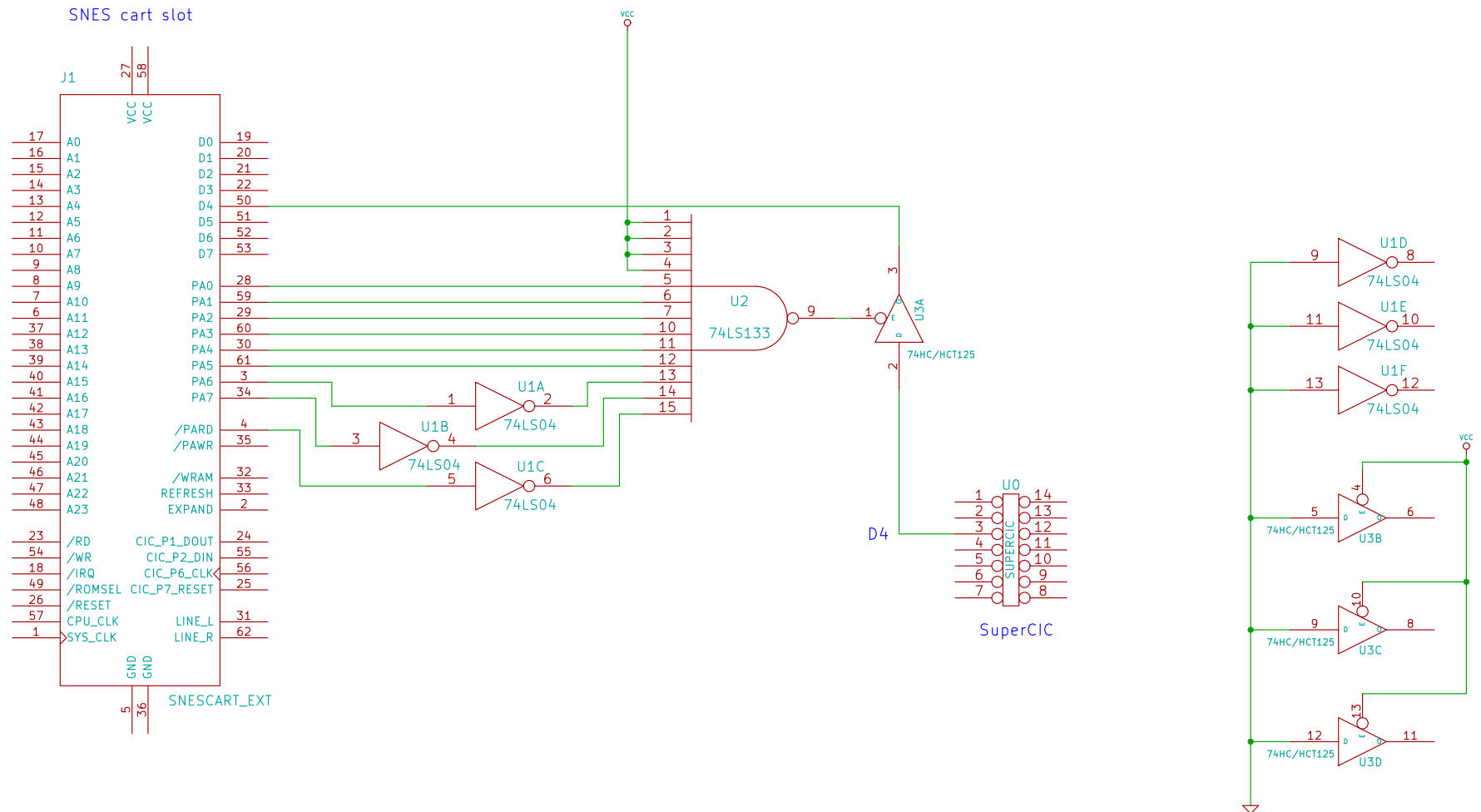


SuperCIC \$213f patching (D4 pin)

©2012 ikari_01



File: supercic-213f.sch	
Sheet: /	
Title: noname.sch	
Size: A4	Date: 10 apr 2012
KiCad E.D.A.	
Rev:	
Id: 1/1	