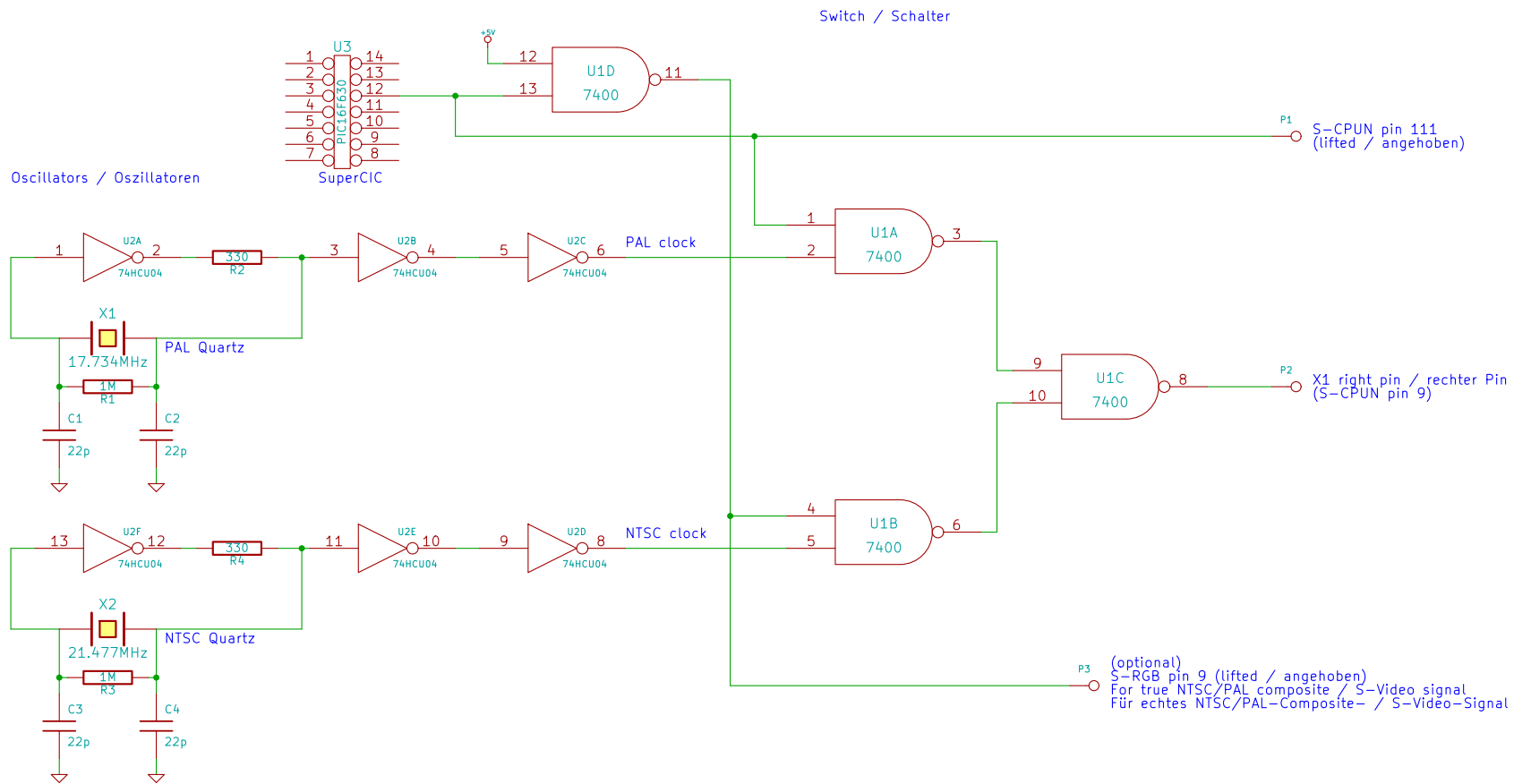


# 1chip / junior switchless 50/60Hz mod

©2010 ikari\_01



<b>ikari_01</b>		
File: 1chip-5060.sch		
Sheet: /		
<b>Title: 1chip-5060.sch</b>		
Size: A4	Date: 24 apr 2011	Rev: B
KiCad E.D.A.		Id: 1/1